

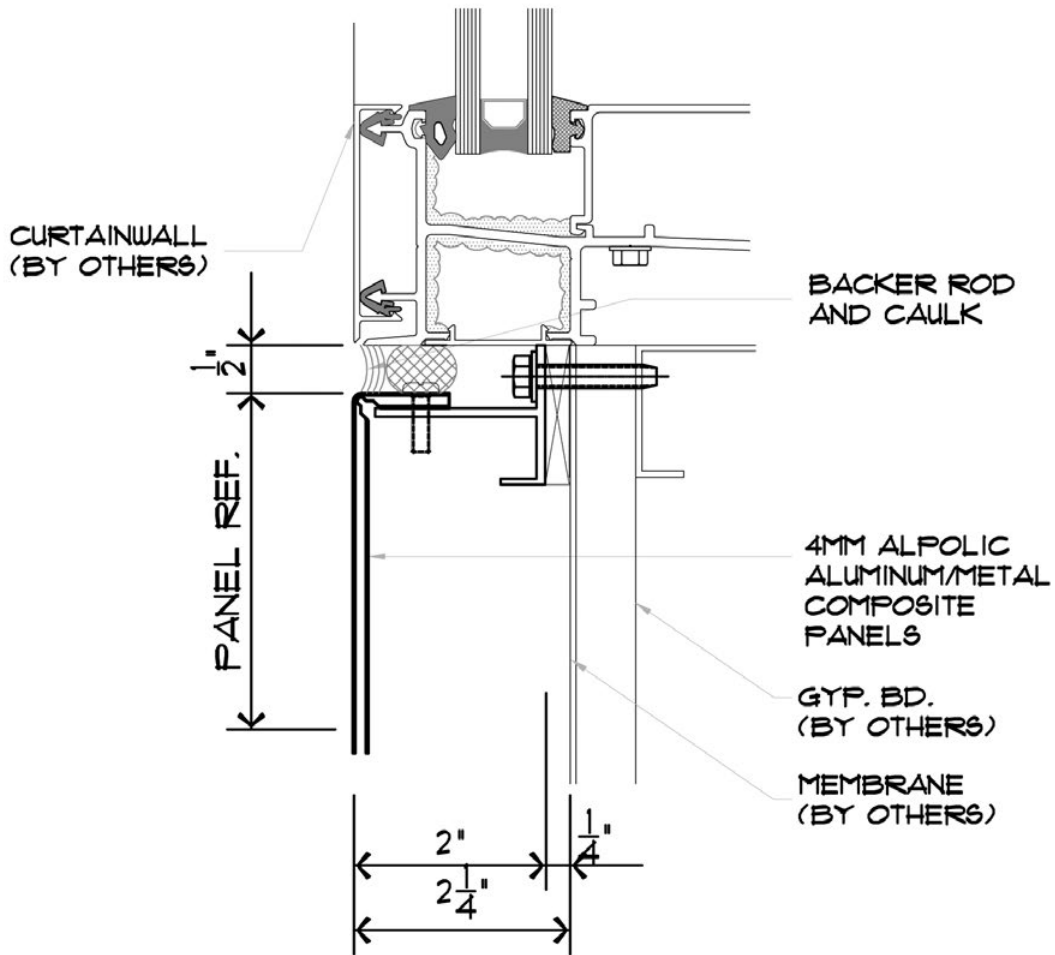
ALPOLIC[®]

METAL COMPOSITE MATERIALS

 MITSUBISHI CHEMICAL COMPOSITES AMERICA, INC.

WET SEAL SYSTEM
10.01.05
www.alpolic-americas.com

The design, fabrication and installation of the ALPOLIC[®] panels are the sole responsibility of the purchaser. The information contained on this website is for conceptual use only. Mitsubishi Chemical Composites America, Inc. shall have no responsibility or liability for the products usage or infringement of any patent or other proprietary right.



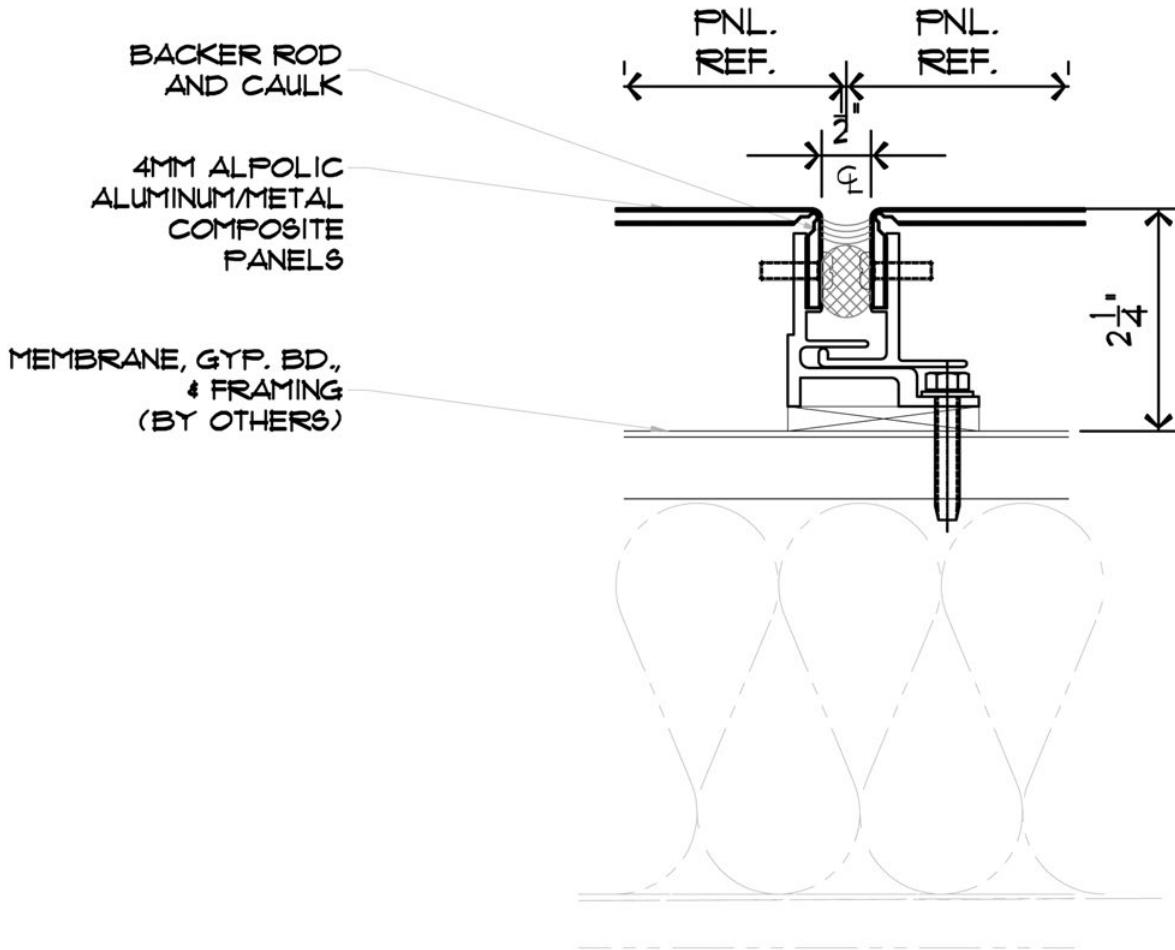
1 SILL DETAIL
WS SCALE: 6" = 1'-0"

ALPOLIC[®]
METAL COMPOSITE MATERIALS

 MITSUBISHI CHEMICAL COMPOSITES AMERICA, INC.

WET SEAL SYSTEM
10.01.05
www.alpolic-americas.com

The design, fabrication and installation of the ALPOLIC[®] panels are the sole responsibility of the purchaser. The information contained on this website is for conceptual use only. Mitsubishi Chemical Composites America, Inc. shall have no responsibility or liability for the products usage or infringement of any patent or other proprietary right.



VERTICAL JOINT

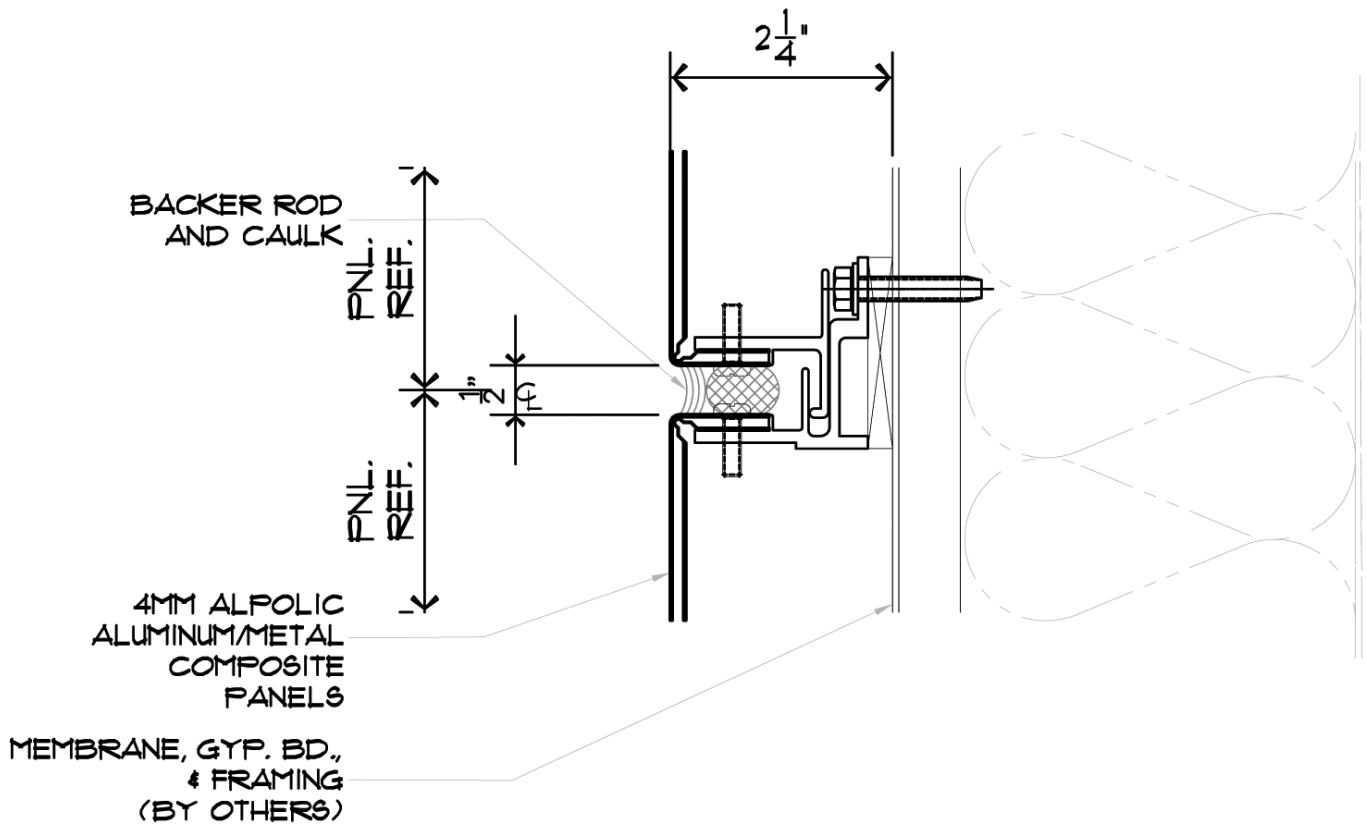
SCALE: 6" = 1'-0"

ALPOLIC[®]
METAL COMPOSITE MATERIALS

 MITSUBISHI CHEMICAL COMPOSITES AMERICA, INC.

WET SEAL SYSTEM
10.01.05
www.alpolic-americas.com

The design, fabrication and installation of the ALPOLIC[®] panels are the sole responsibility of the purchaser. The information contained on this website is for conceptual use only. Mitsubishi Chemical Composites America, Inc. shall have no responsibility or liability for the products usage or infringement of any patent or other proprietary right.



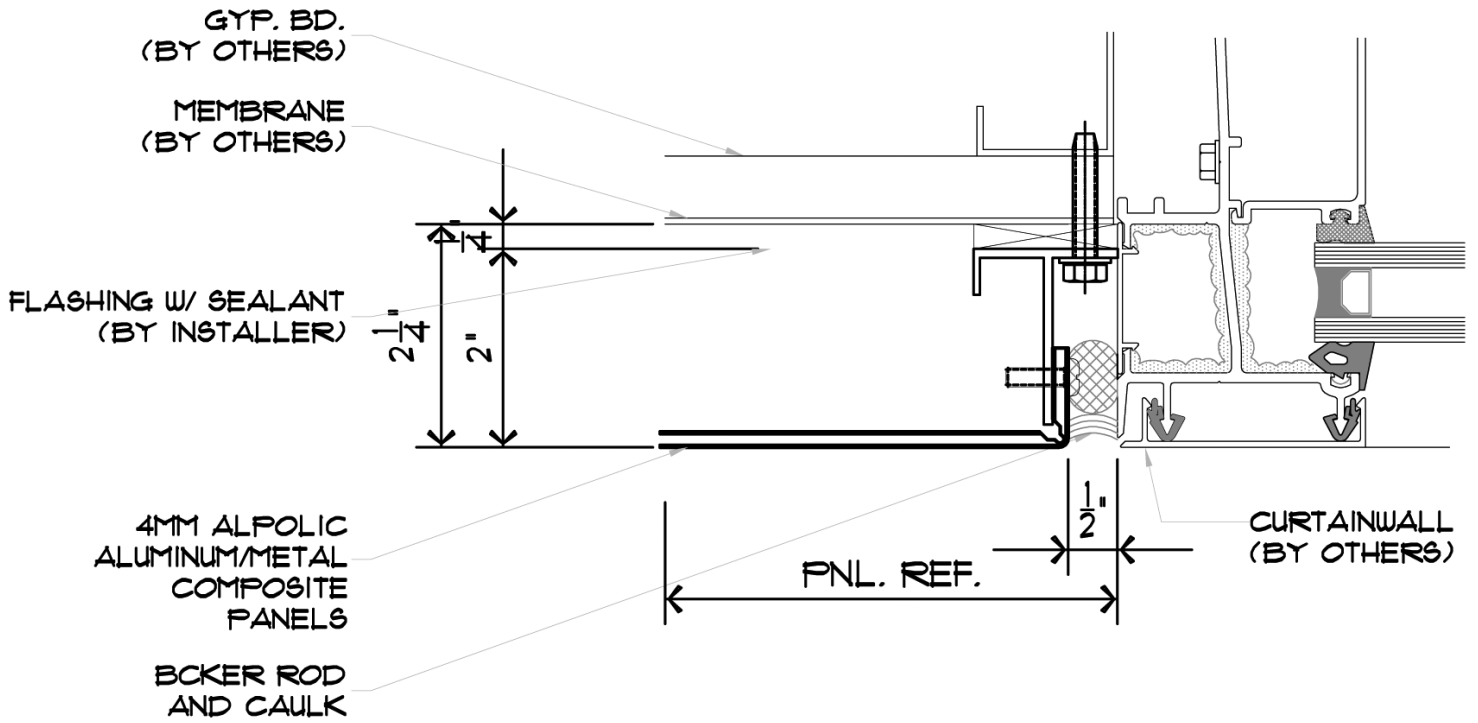
3 HORIZONTAL JOINT
 WS SCALE: 6" = 1'-0"

ALPOLIC[®]
 METAL COMPOSITE MATERIALS

 MITSUBISHI CHEMICAL COMPOSITES AMERICA, INC.

WET SEAL SYSTEM
 10.01.05
www.alpolic-americas.com

The design, fabrication and installation of the ALPOLIC[®] panels are the sole responsibility of the purchaser. The information contained on this website is for conceptual use only. Mitsubishi Chemical Composites America, Inc. shall have no responsibility or liability for the products usage or infringement of any patent or other proprietary right.



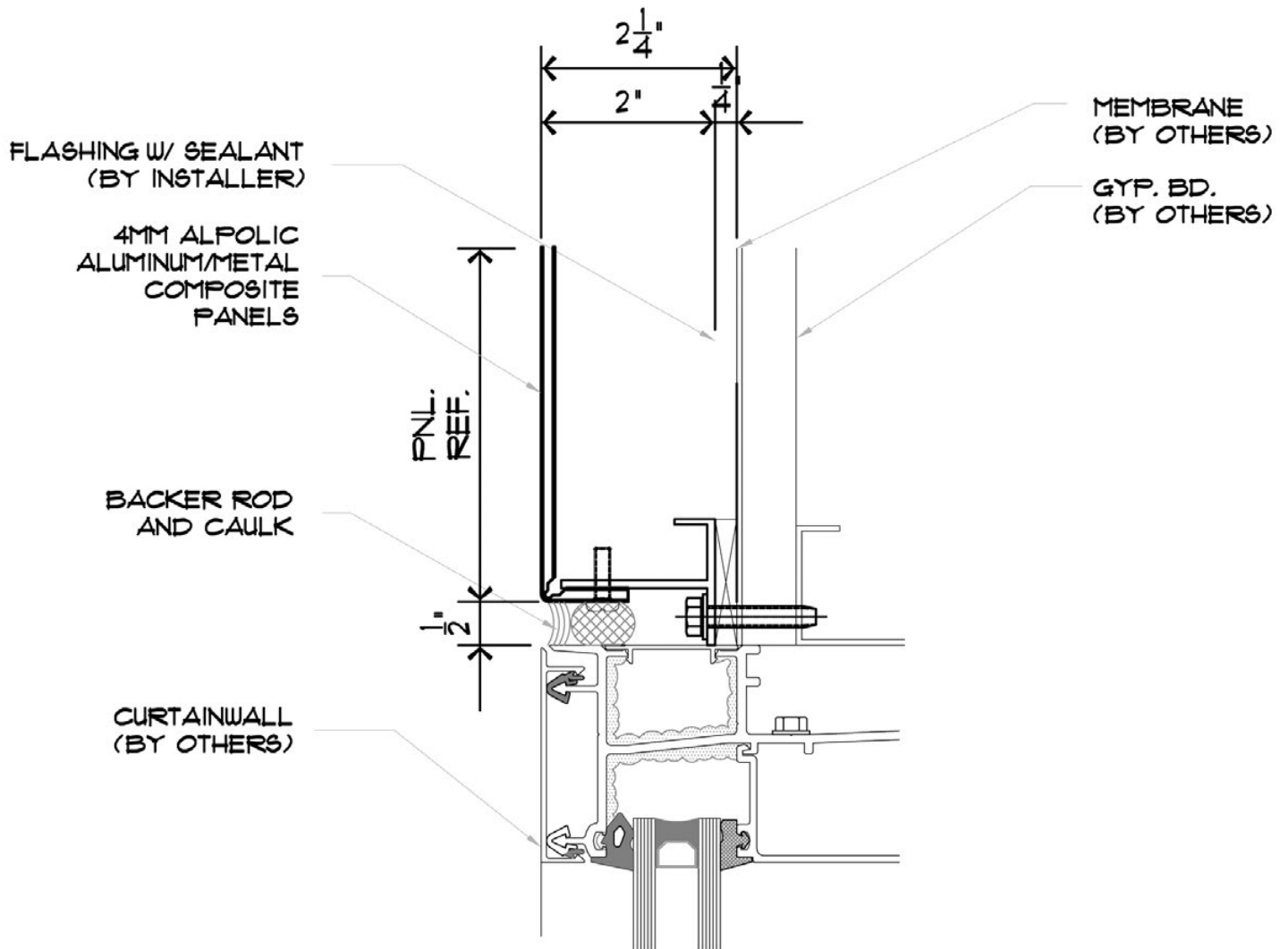
4 JAMB DETAIL
 WS SCALE: 6" = 1'-0"

ALPOLIC[®]
 METAL COMPOSITE MATERIALS


 MITSUBISHI CHEMICAL COMPOSITES AMERICA, INC.

WET SEAL SYSTEM
 10.01.05
www.alpolic-americas.com

The design, fabrication and installation of the ALPOLIC[®] panels are the sole responsibility of the purchaser. The information contained on this website is for conceptual use only. Mitsubishi Chemical Composites America, Inc. shall have no responsibility or liability for the products usage or infringement of any patent or other proprietary right.



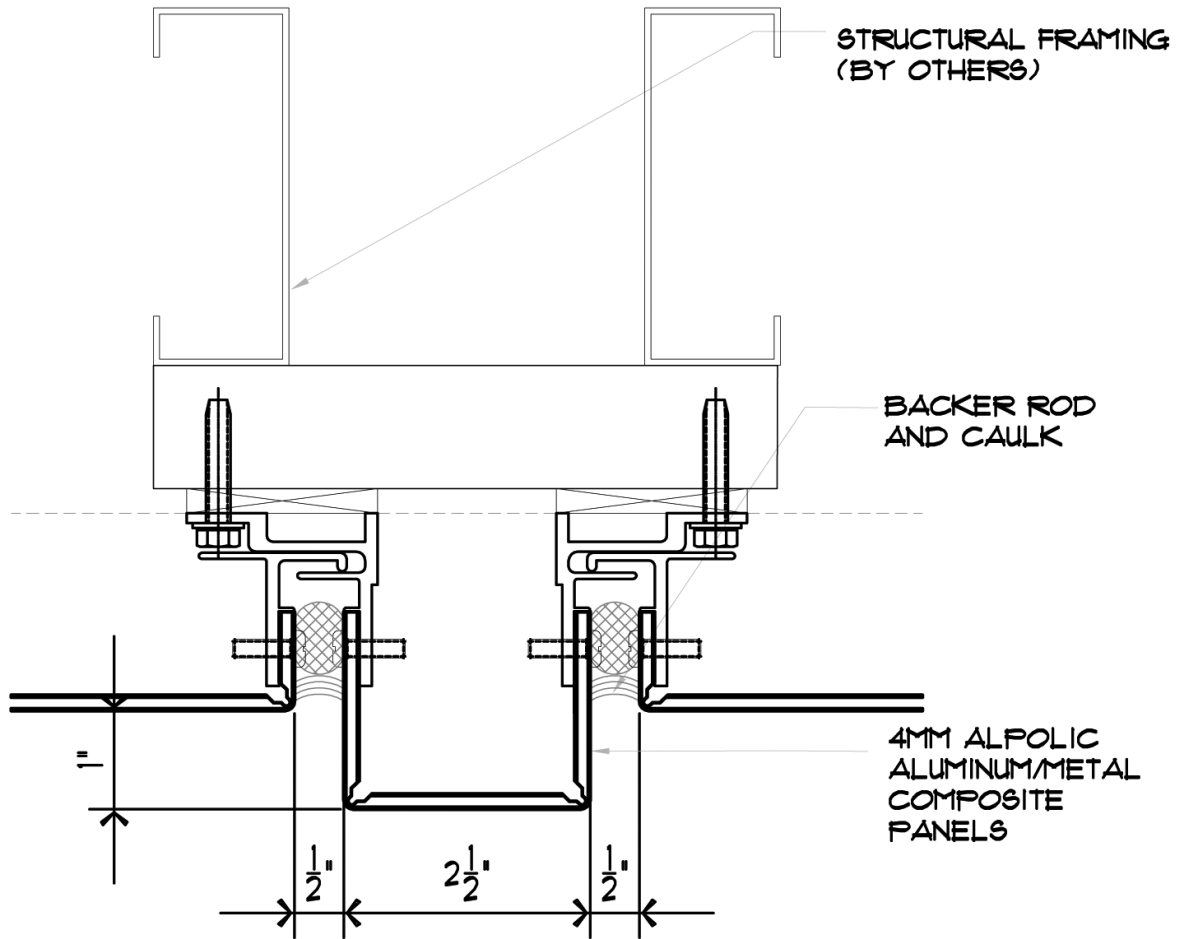
5 HEAD DETAIL
 WS SCALE: 6" = 1'-0"

ALPOLIC[®]
 METAL COMPOSITE MATERIALS


 MITSUBISHI CHEMICAL COMPOSITES AMERICA, INC.

WET SEAL SYSTEM
 10.01.05
www.alpolic-americas.com

The design, fabrication and installation of the ALPOLIC[®] panels are the sole responsibility of the purchaser. The information contained on this website is for conceptual use only. Mitsubishi Chemical Composites America, Inc. shall have no responsibility or liability for the products usage or infringement of any patent or other proprietary right.



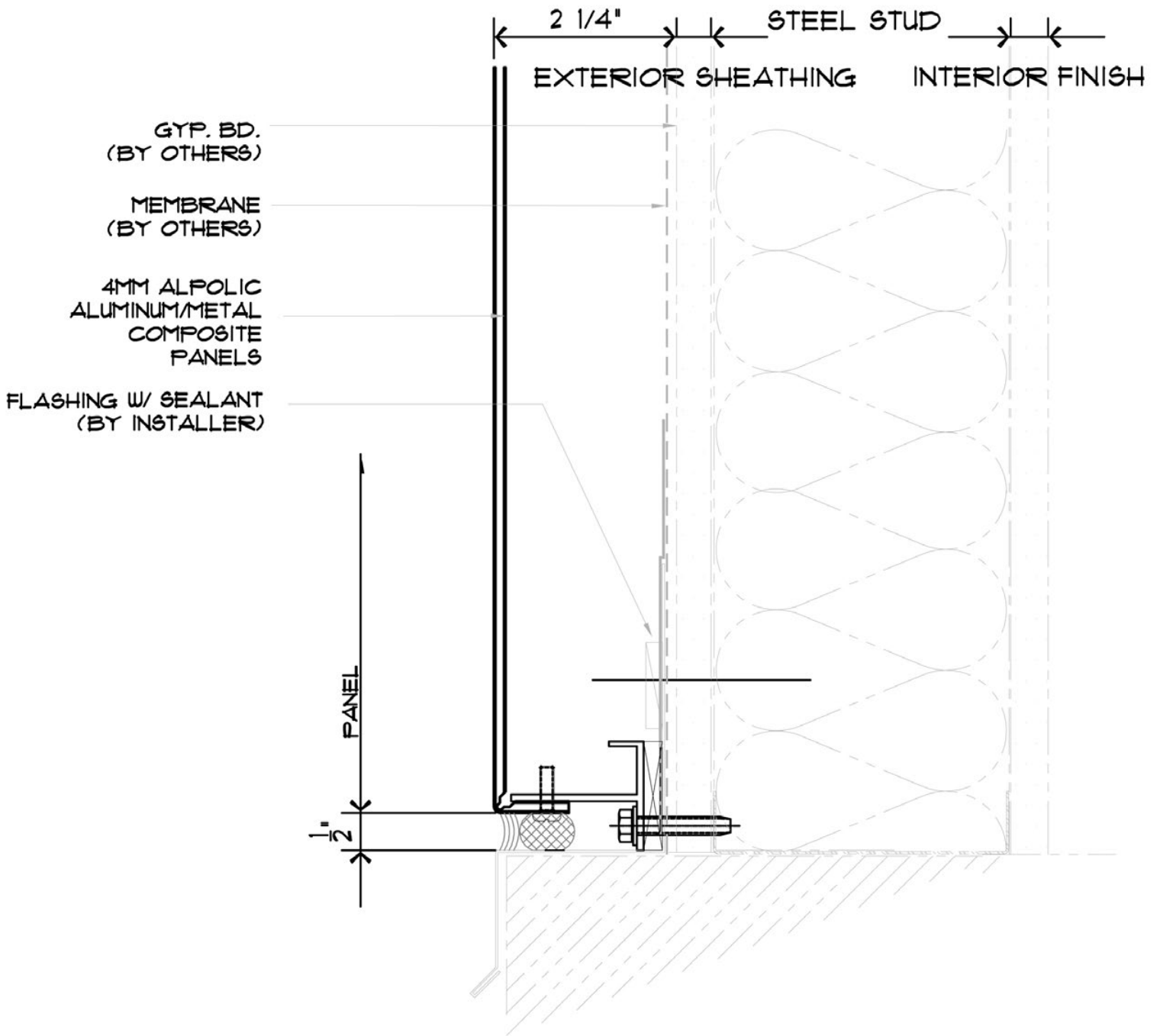
6 BATTEN DETAIL
 WS SCALE: 6" = 1'-0"

ALPOLIC[®]
 METAL COMPOSITE MATERIALS

 MITSUBISHI CHEMICAL COMPOSITES AMERICA, INC.

WET SEAL SYSTEM
 10.01.05
www.alpolic-americas.com

The design, fabrication and installation of the ALPOLIC[®] panels are the sole responsibility of the purchaser. The information contained on this website is for conceptual use only. Mitsubishi Chemical Composites America, Inc. shall have no responsibility or liability for the products usage or infringement of any patent or other proprietary right.



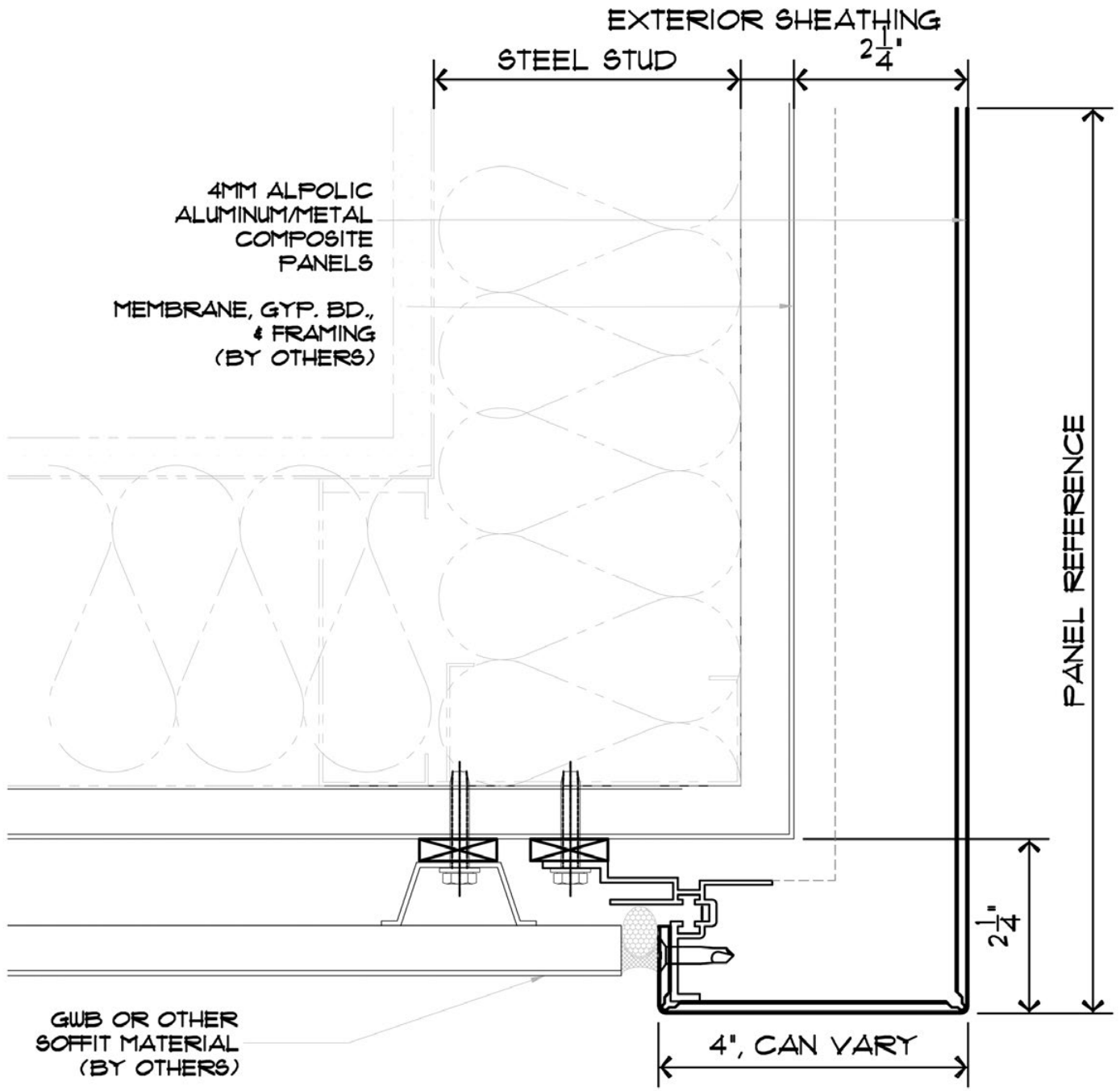
7 BASE CONDITION
 WS SCALE: 6" = 1'-0"

ALPOLIC[®]
 METAL COMPOSITE MATERIALS

 MITSUBISHI CHEMICAL COMPOSITES AMERICA, INC.


WET SEAL SYSTEM
 10.01.05
www.alpolic-americas.com

The design, fabrication and installation of the ALPOLIC[®] panels are the sole responsibility of the purchaser. The information contained on this website is for conceptual use only. Mitsubishi Chemical Composites America, Inc. shall have no responsibility or liability for the products usage or infringement of any patent or other proprietary right.



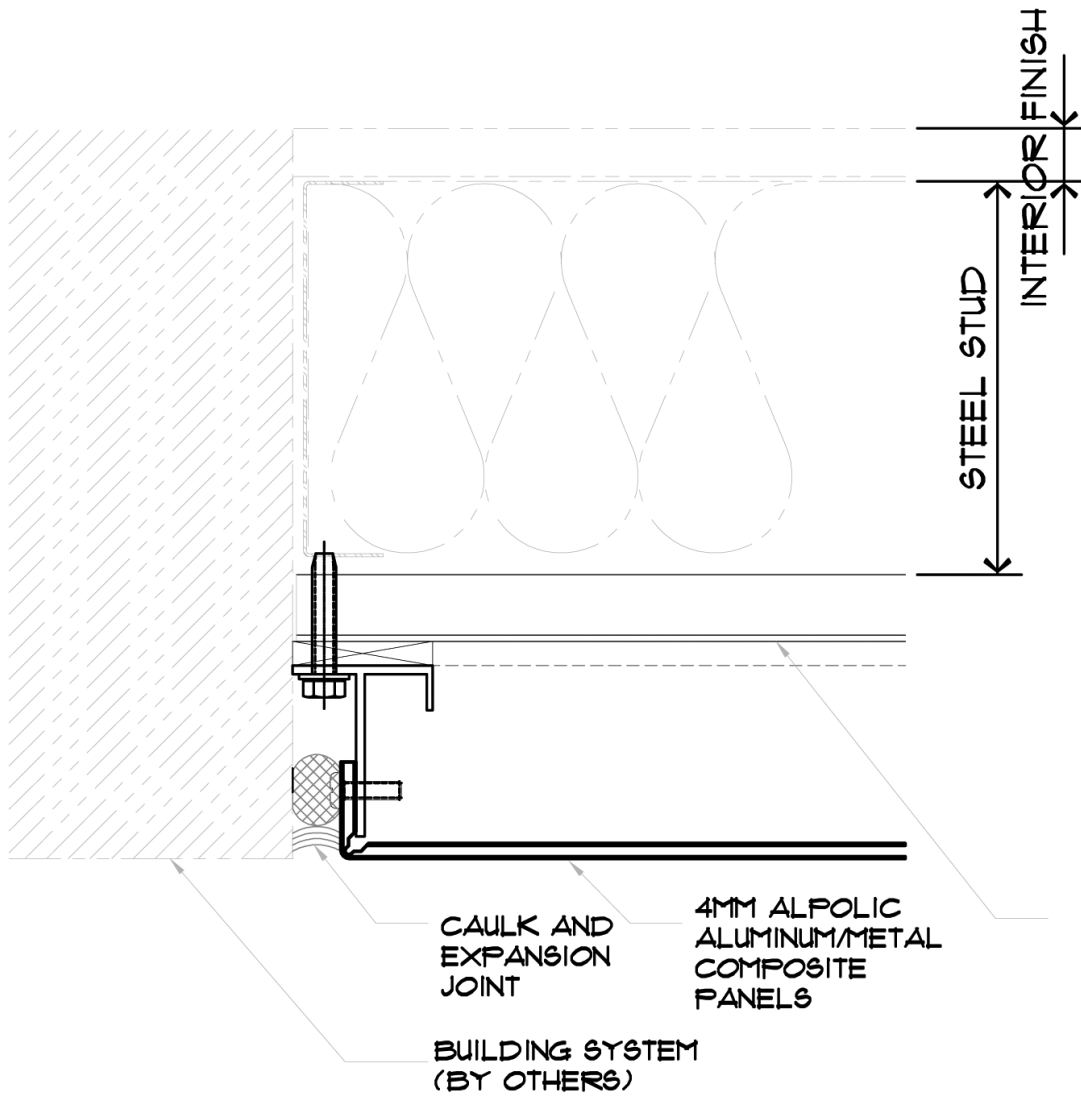
8 TYP SOFFIT DETAIL
 WS SCALE: 6" = 1'-0"

ALPOLIC[®]
 METAL COMPOSITE MATERIALS

 MITSUBISHI CHEMICAL COMPOSITES AMERICA, INC.

WET SEAL SYSTEM
 10.01.05
www.alpolic-americas.com

The design, fabrication and installation of the ALPOLIC[®] panels are the sole responsibility of the purchaser. The information contained on this website is for conceptual use only. Mitsubishi Chemical Composites America, Inc. shall have no responsibility or liability for the products usage or infringement of any patent or other proprietary right.



9
WS

ABUTMENT DETAIL

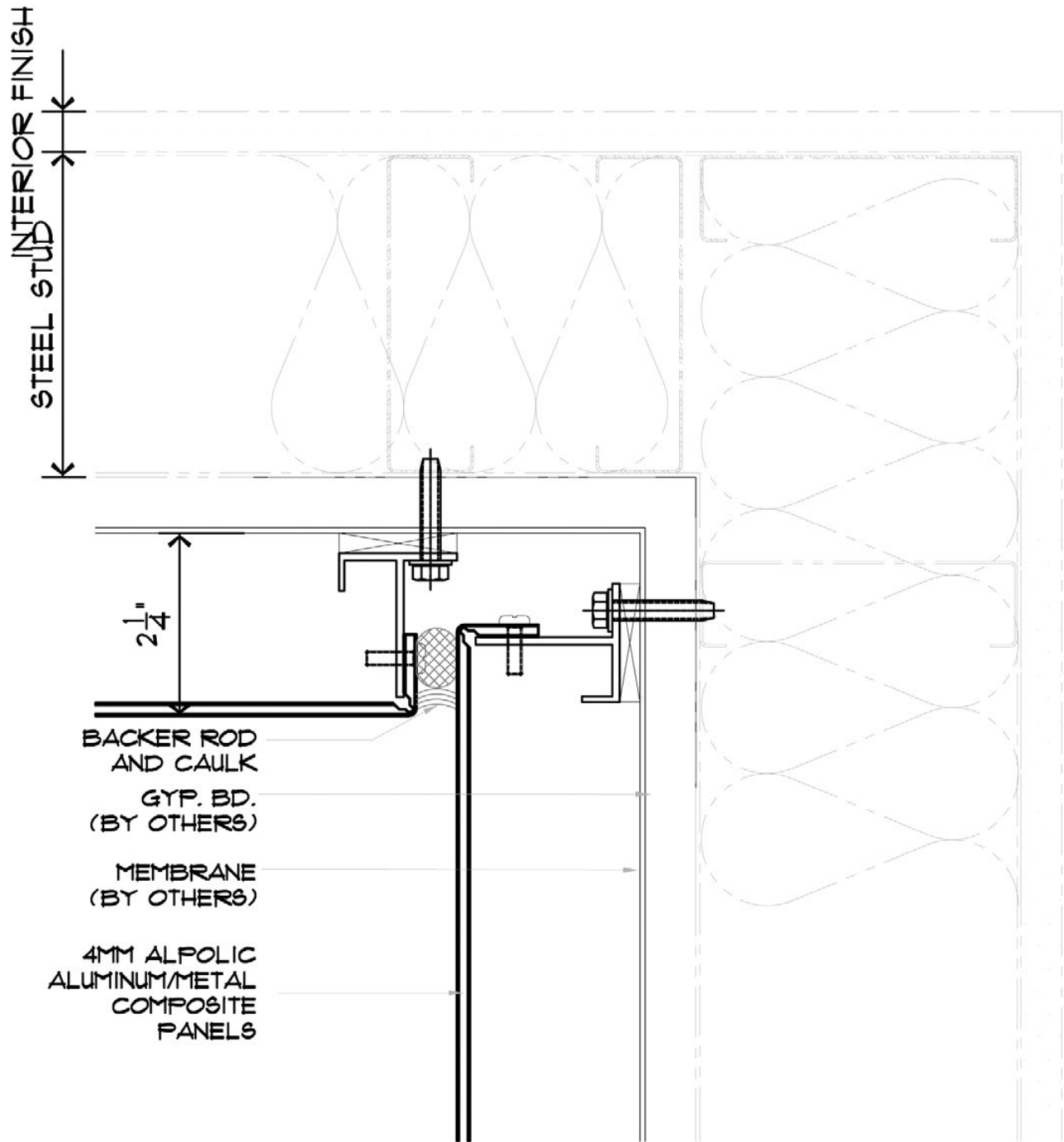
SCALE: 6" = 1'-0"

ALPOLIC[®]
METAL COMPOSITE MATERIALS

 MITSUBISHI CHEMICAL COMPOSITES AMERICA, INC.

WET SEAL SYSTEM
10.01.05
www.alpolic-americas.com

The design, fabrication and installation of the ALPOLIC[®] panels are the sole responsibility of the purchaser. The information contained on this website is for conceptual use only. Mitsubishi Chemical Composites America, Inc. shall have no responsibility or liability for the products usage or infringement of any patent or other proprietary right.



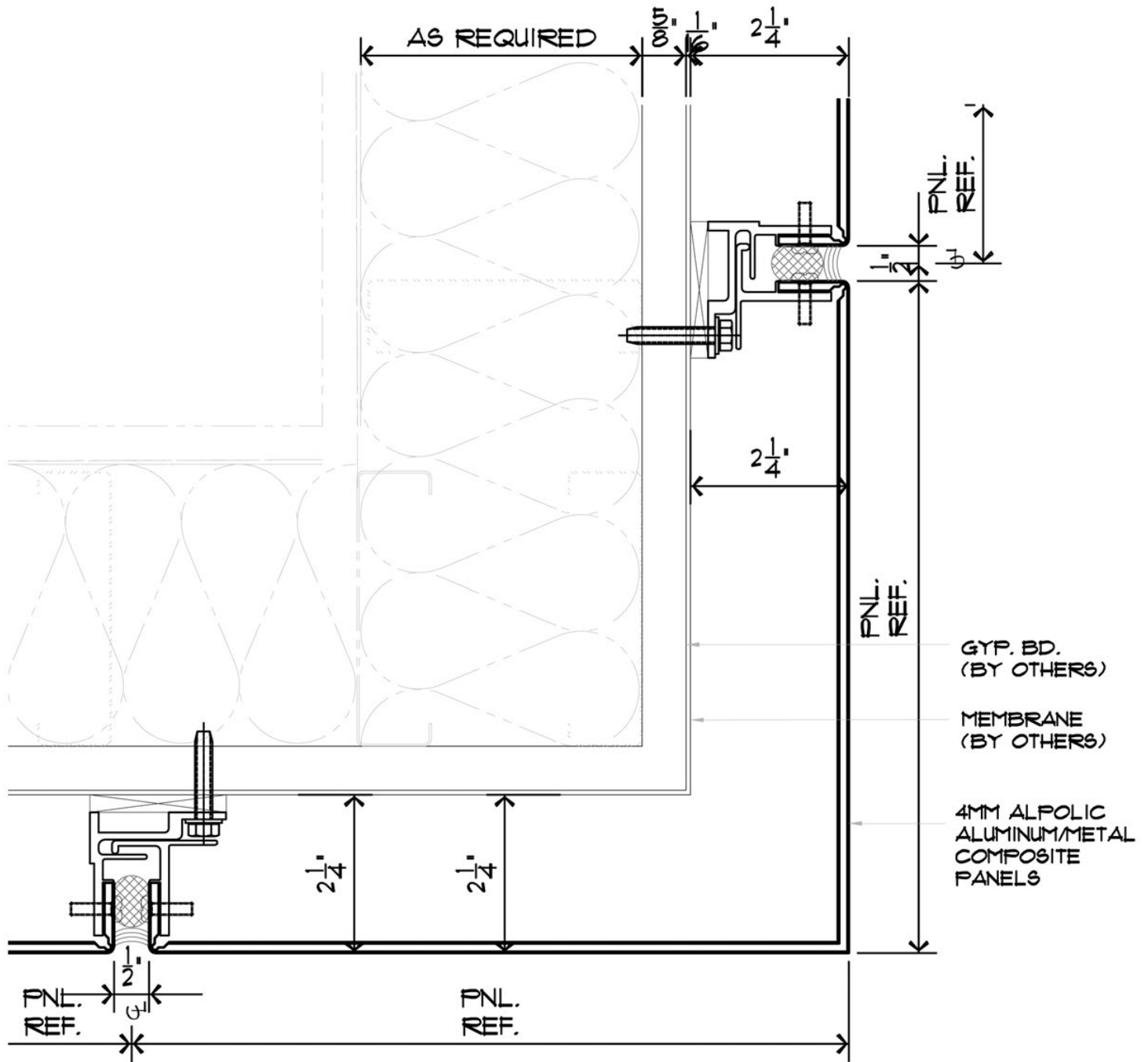
10 INSIDE CORNER
WS SCALE: 6" = 1'-0"

ALPOLIC[®]
METAL COMPOSITE MATERIALS

 MITSUBISHI CHEMICAL COMPOSITES AMERICA, INC.

WET SEAL SYSTEM
10.01.05
www.alpolic-americas.com

The design, fabrication and installation of the ALPOLIC[®] panels are the sole responsibility of the purchaser. The information contained on this website is for conceptual use only. Mitsubishi Chemical Composites America, Inc. shall have no responsibility or liability for the products usage or infringement of any patent or other proprietary right.



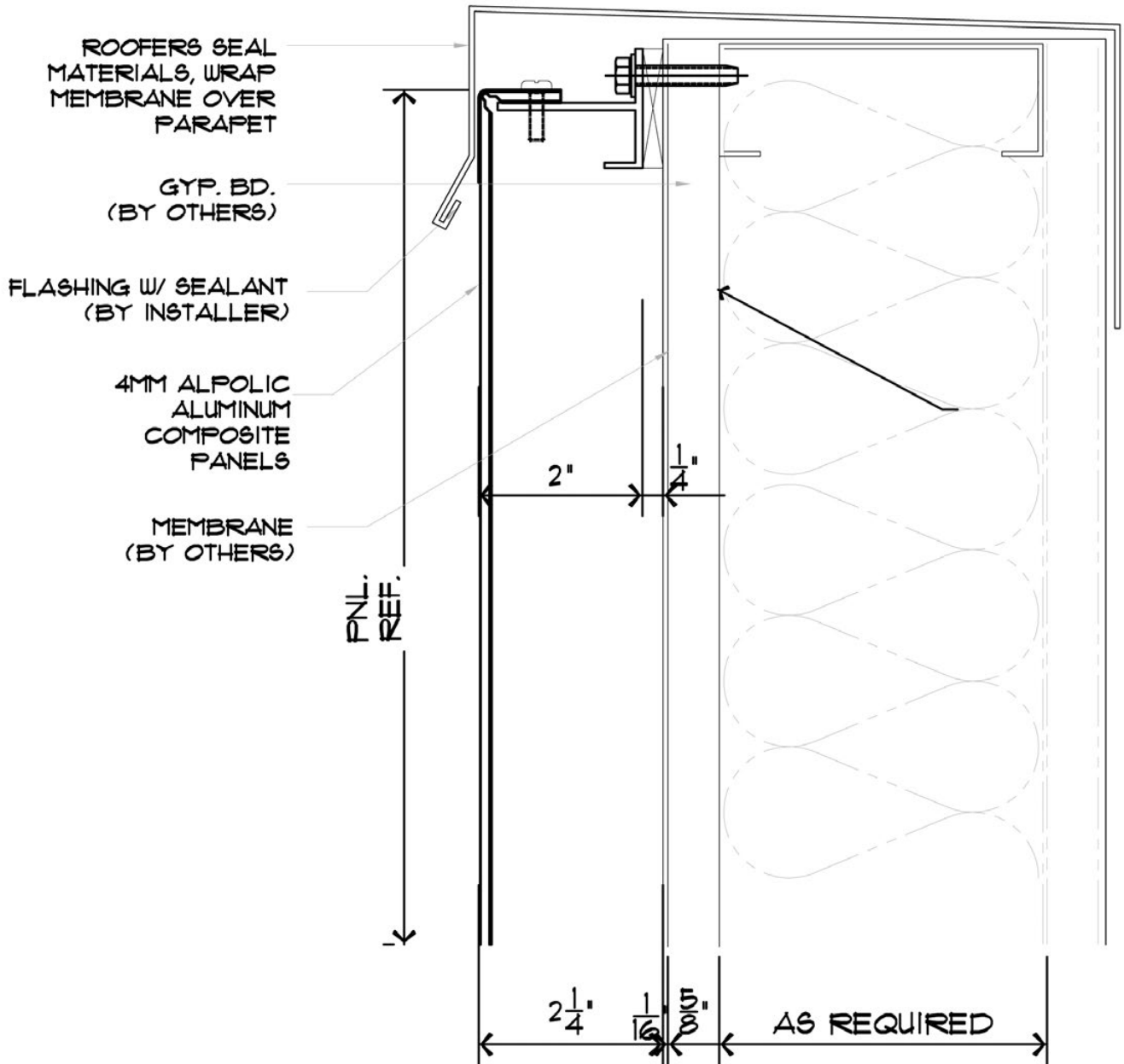
11 OUTSIDE CORNER
 WS SCALE: 6" = 1'-0"

ALPOLIC[®]
 METAL COMPOSITE MATERIALS

 MITSUBISHI CHEMICAL COMPOSITES AMERICA, INC.

WET SEAL SYSTEM
 10.01.05
www.alpolic-americas.com

The design, fabrication and installation of the ALPOLIC[®] panels are the sole responsibility of the purchaser. The information contained on this website is for conceptual use only. Mitsubishi Chemical Composites America, Inc. shall have no responsibility or liability for the products usage or infringement of any patent or other proprietary right.



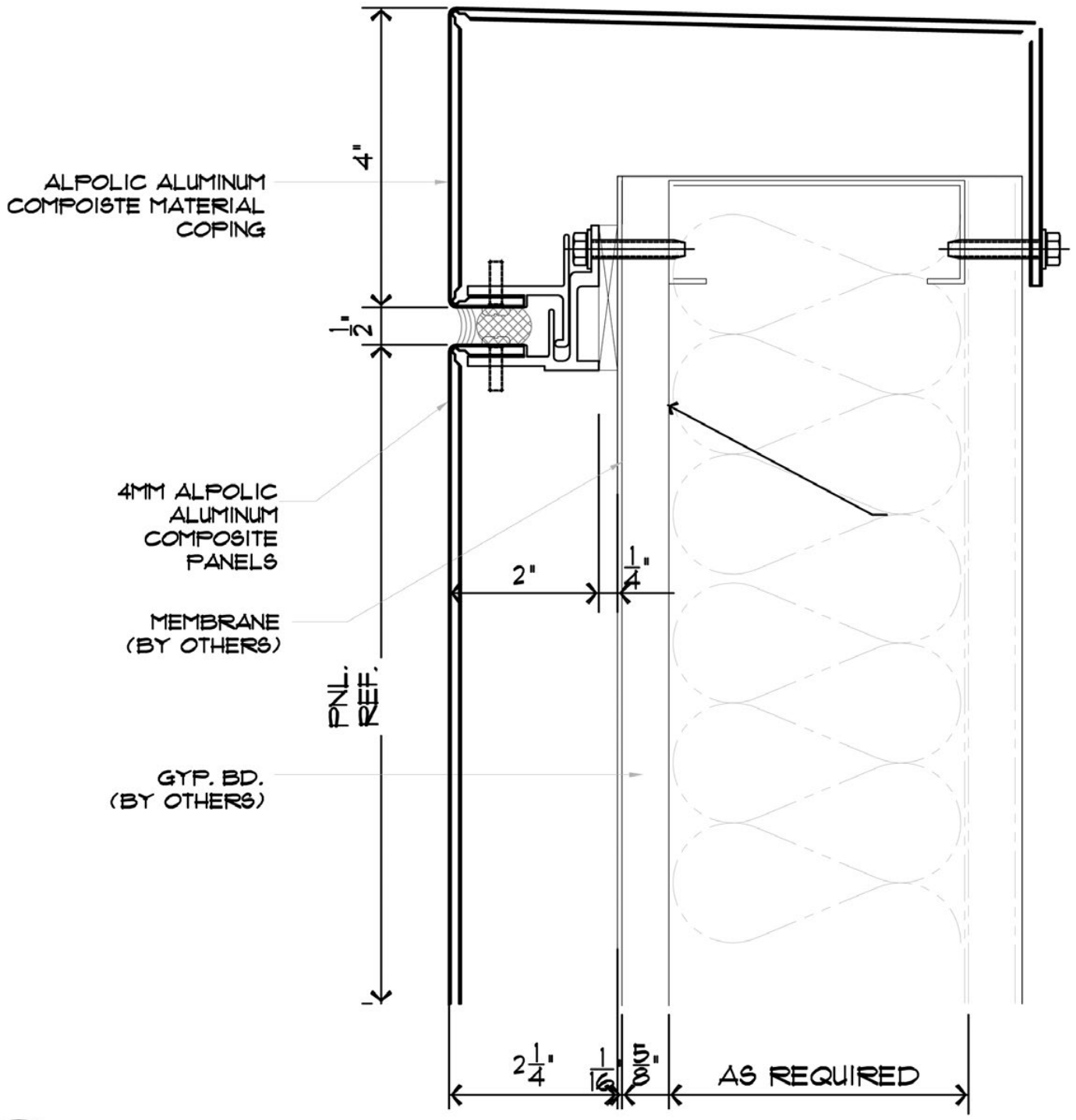
12 PARAPET DETAIL
 WS SCALE: 6" = 1'-0"

ALPOLIC[®]
 METAL COMPOSITE MATERIALS

 MITSUBISHI CHEMICAL COMPOSITES AMERICA, INC.

WET SEAL SYSTEM
 10.01.05
www.alpolic-americas.com

The design, fabrication and installation of the ALPOLIC[®] panels are the sole responsibility of the purchaser. The information contained on this website is for conceptual use only. Mitsubishi Chemical Composites America, Inc. shall have no responsibility or liability for the products usage or infringement of any patent or other proprietary right.



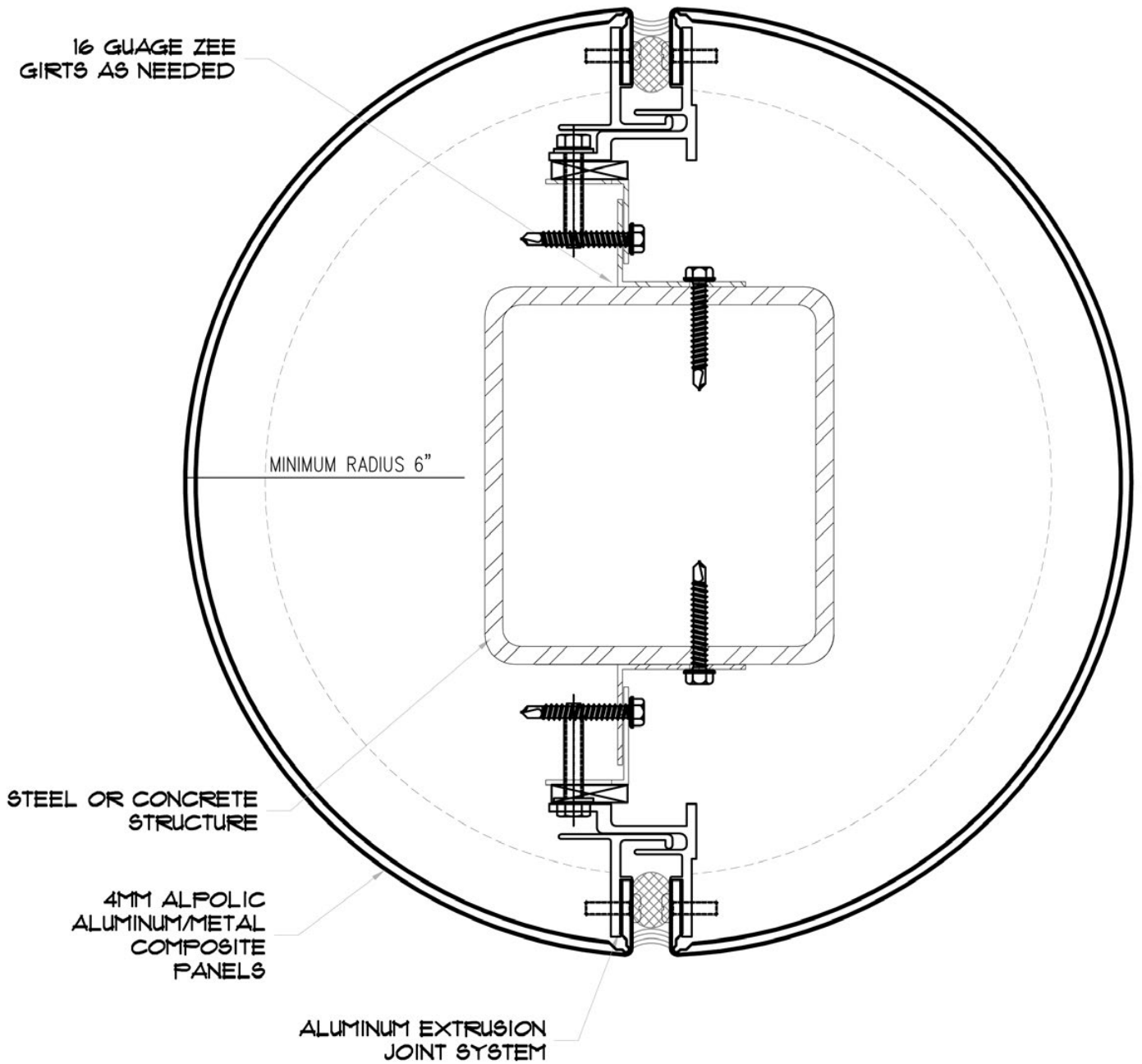
12A PARAPET DETAIL, OPTION 2
 WS SCALE: 6" = 1'-0"

ALPOLIC[®]
 METAL COMPOSITE MATERIALS

 MITSUBISHI CHEMICAL COMPOSITES AMERICA, INC.

WET SEAL SYSTEM
 10.01.05
www.alpolic-americas.com

The design, fabrication and installation of the ALPOLIC[®] panels are the sole responsibility of the purchaser. The information contained on this website is for conceptual use only. Mitsubishi Chemical Composites America, Inc. shall have no responsibility or liability for the products usage or infringement of any patent or other proprietary right.



13
RS

CIRCULAR COLUMN

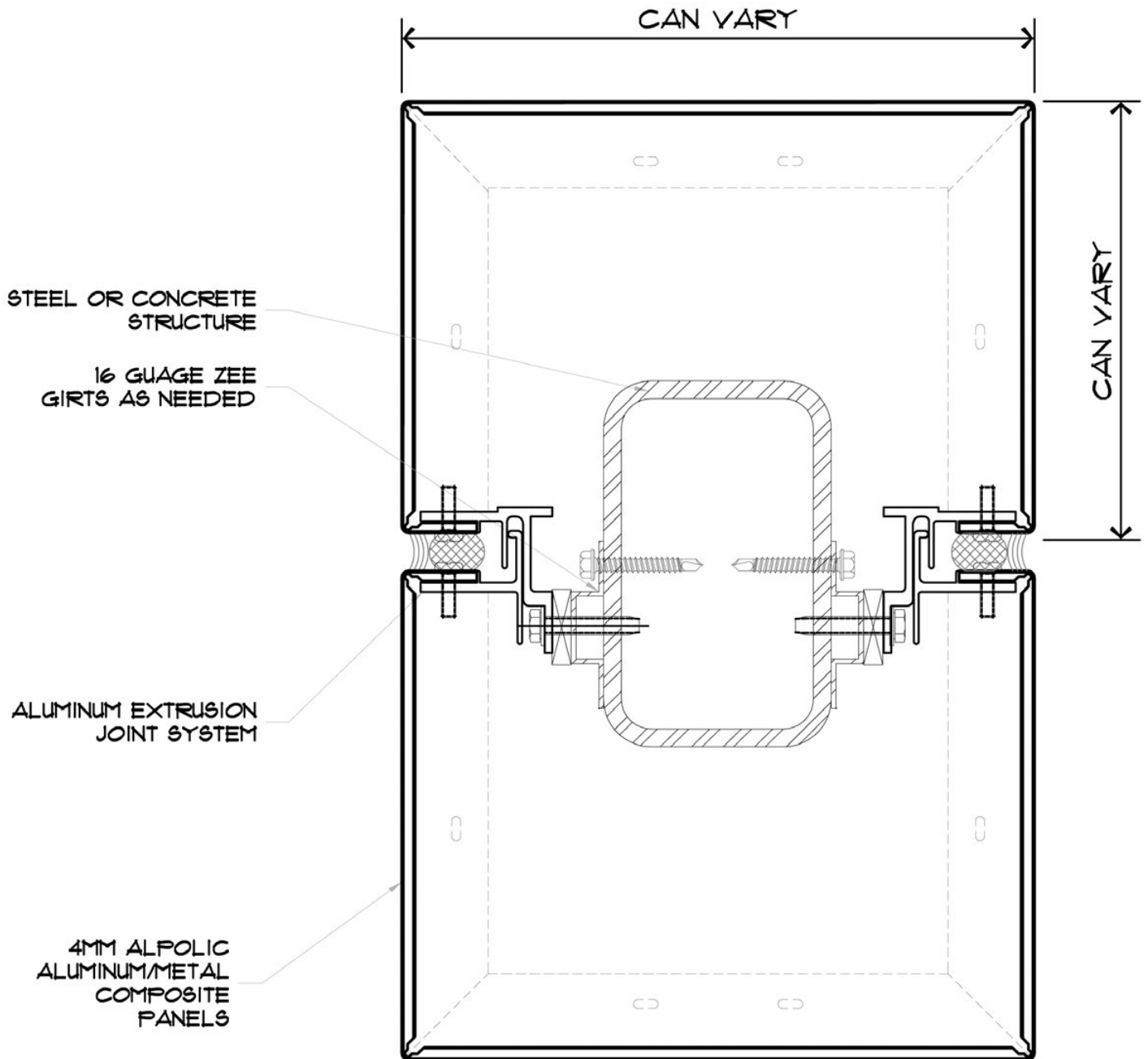
SCALE: 6" = 1'-0"

ALPOLIC[®]
METAL COMPOSITE MATERIALS

 MITSUBISHI CHEMICAL COMPOSITES AMERICA, INC.

WET SEAL SYSTEM
10.01.05
www.alpolic-americas.com

The design, fabrication and installation of the ALPOLIC[®] panels are the sole responsibility of the purchaser. The information contained on this website is for conceptual use only. Mitsubishi Chemical Composites America, Inc. shall have no responsibility or liability for the products usage or infringement of any patent or other proprietary right.



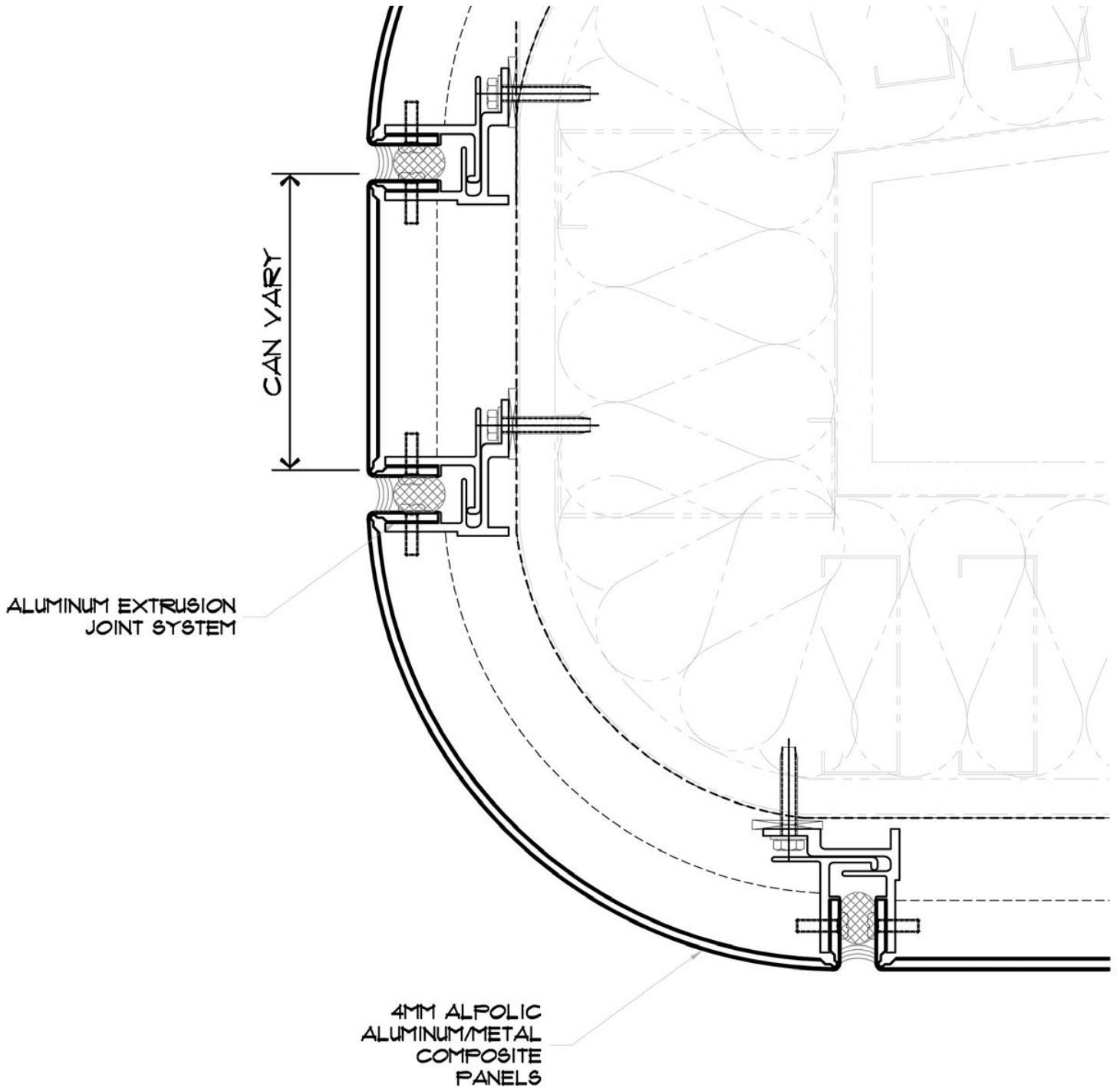
14 SQUARE COLUMN
 RS SCALE: 6" = 1'-0"

ALPOLIC[®]
 METAL COMPOSITE MATERIALS

 MITSUBISHI CHEMICAL COMPOSITES AMERICA, INC.

WET SEAL SYSTEM
 10.01.05
www.alpolic-americas.com

The design, fabrication and installation of the ALPOLIC[®] panels are the sole responsibility of the purchaser. The information contained on this website is for conceptual use only. Mitsubishi Chemical Composites America, Inc. shall have no responsibility or liability for the products usage or infringement of any patent or other proprietary right.



15
RS

CANOPY/SUNSHADE

SCALE: 6" = 1'-0"

ALPOLIC[®]
METAL COMPOSITE MATERIALS

 MITSUBISHI CHEMICAL COMPOSITES AMERICA, INC.

WET SEAL SYSTEM
10.01.05
www.alpolic-americas.com

The design, fabrication and installation of the ALPOLIC[®] panels are the sole responsibility of the purchaser. The information contained on this website is for conceptual use only. Mitsubishi Chemical Composites America, Inc. shall have no responsibility or liability for the products usage or infringement of any patent or other proprietary right.